



Section EN54 Voice Evacuation Systems

Category EN54-24 Loudspeakers

Code C49/12-EN

References

Safety: Compliant to EN 50200, EN 62368-1

Emergency: EN54-24:2008 (cert. no. 0068/CPR/153-2020)
ISO 7240-19:2010 - CEN/TS 54-32:2015 - EN 50849

Application: Outdoor environment (Type B)

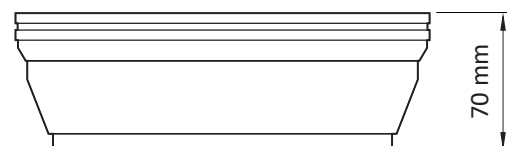
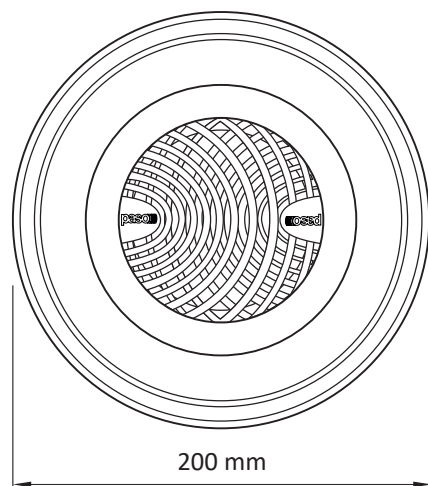
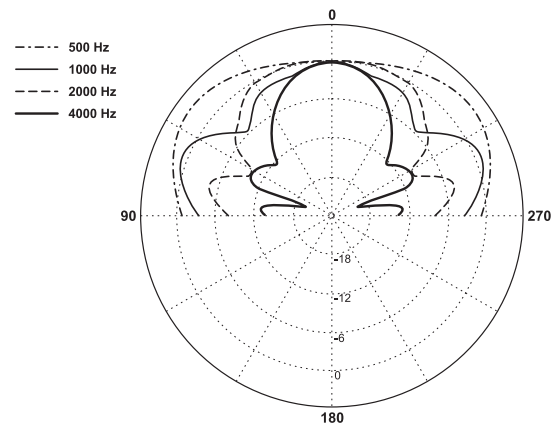
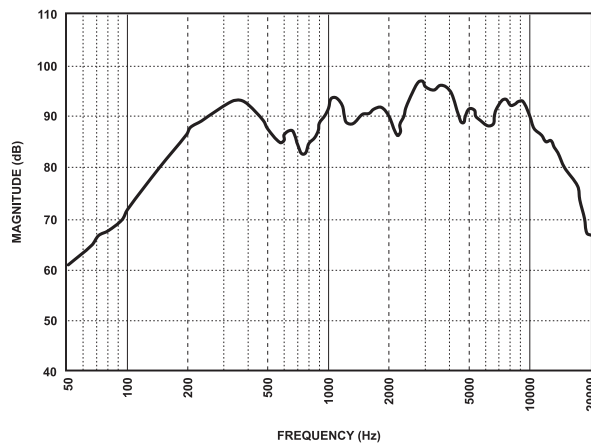


Description EN54-24 12W Protruded ceiling-speaker for voice alarm systems

The C49/12-EN speaker unit for protruded ceiling-mounting are made of white self-extinguishing ABS according to UL94-V0; this speaker unit is recommended for all outdoor or moist covered places when excellent sound reproduction with an interesting price/quality ratio is required.

This speaker unit has been developed specifically for use in emergency and evacuation systems (VES) and has its own ceramic terminal strip and thermal fuse. These ensure the protection of the line connecting the loudspeakers if a fire puts one or more of the speaker units connected to it out of use.

Technical data



Technical data

C49/12-EN



20

PASO S.p.A Via Settembrini, 34 - 20020 Lainate (MI)

0068

0068/CPR/153-2020

EN 54-24

Loudspeaker for voice alarm systems
for fire detection and fire alarm systems for buildings

C49/12-EN

Type B

No. of loudspeakers	1
Rated output	12 W
Adjustable power	12 W / 6 W / 3 W
Line transformer inputs	50 V / 70 V / 100 V
Rated impedance (100V line)	830 Ω (12 W) / 1670 Ω (6 W) / 3330 Ω (3 W)
Frequency response @ -6dB	160 ÷ 15.000 Hz
Efficiency @ 1W/1m	90 dB
Maximum acoustic pressure SPL @ Pmax/1m	101 dB
Dispersion angle (- 6dB)	500 Hz: 180° 1 kHz: 180° 2 kHz: 110° 4 kHz: 60°
Protection degree	IP 33C
Material	UL94-V0 self-extinguishing
Colour	White
Size	Ø 200 x 70 mm
Net weight	1,7 kg